

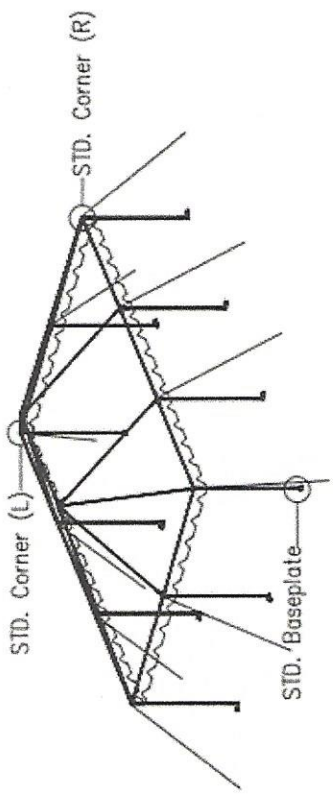
ALL DATA AND INFORMATION CONTAINED IN OR ENCLOSED BY THIS DOCUMENT IS CONFIDENTIAL AND PROPRIETARY INFORMATION OF AZTEC TENTS AND ALL RIGHTS THEREIN ARE EXPRESSLY RESERVED. BY ACCEPTING THIS MATERIAL THE RECIPIENT AGREES THAT THIS MATERIAL AND INFORMATION CONTAINED THEREIN IS HELD IN CONFIDENCE AND IN TRUST AND WILL NOT BE COPIED, REPRODUCED, WHOLE OR IN PART, NOR ITS CONTENTS REVEALED IN ANY MANNER TO OTHERS, EXCEPT TO MEET THE SPECIFIC PURPOSE FOR WHICH IT WAS DELIVERED.

AZTEC TENTS
 DESIGN & PRODUCTION
 2665 COLUMBIA ST. TORRANCE, CA. 90503
 (800) 228-3687 - FAX (310) 381-0722

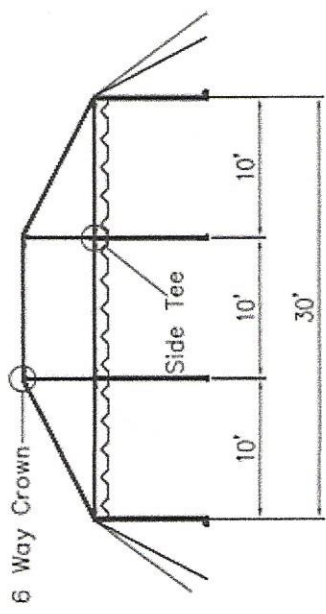
STANDARD FRAME
 FRAME TENT/STANDARD
 20' W X 30' L X 10' SPACING
 PART NUMBER: ZXXXXXXX

REV	DESCRIPTION	BY	DATE
N/A	N/A	N/A	N/A
N/A	N/A	N/A	N/A
N/A	N/A	N/A	N/A
N/A	N/A	N/A	N/A
N/A	N/A	N/A	N/A
N/A	N/A	N/A	N/A
N/A	N/A	N/A	N/A

CONFIDENTIAL
 DRAWING: N/A DATE: 6/28/2016
 PAGE: 1 OF 1 DRAWN: HUGO.R



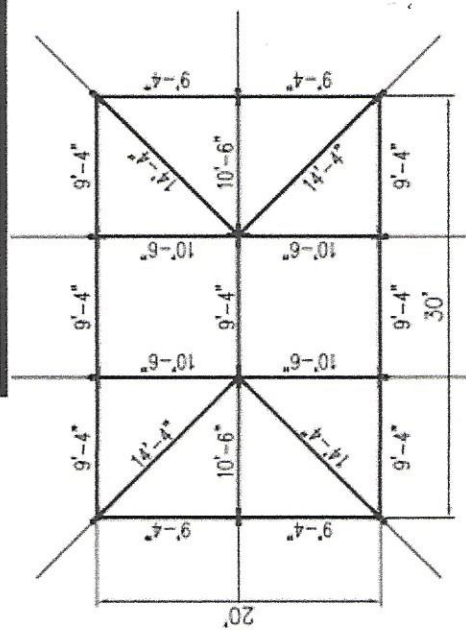
ISOMETRIC VIEW



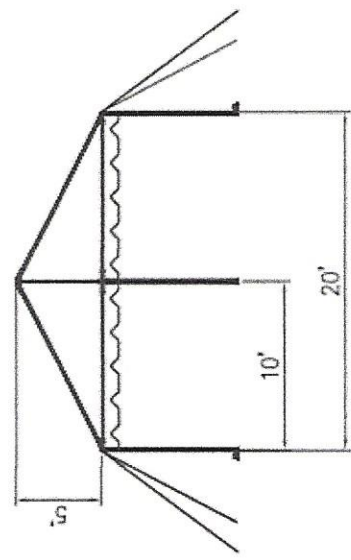
SIDE VIEW

9'4" White - 11 Poles
10'6" Green - 6 Poles
14'4" Red Long - 4 Poles
7'8" Black Legs - 10 Poles

20' x 30' STANDARD FRAME TENT



PLAN VIEW



FRONT VIEW

K:\ent\Asst_Engineer\Frame_Tents\Standard_Out_Goals_Frame_Tent\Standard_Out_Goals_Frame_Tent.dwg, 2/2/2016, 2:51:10 PM, pdf24.dwg